



# Vertical Placement Module

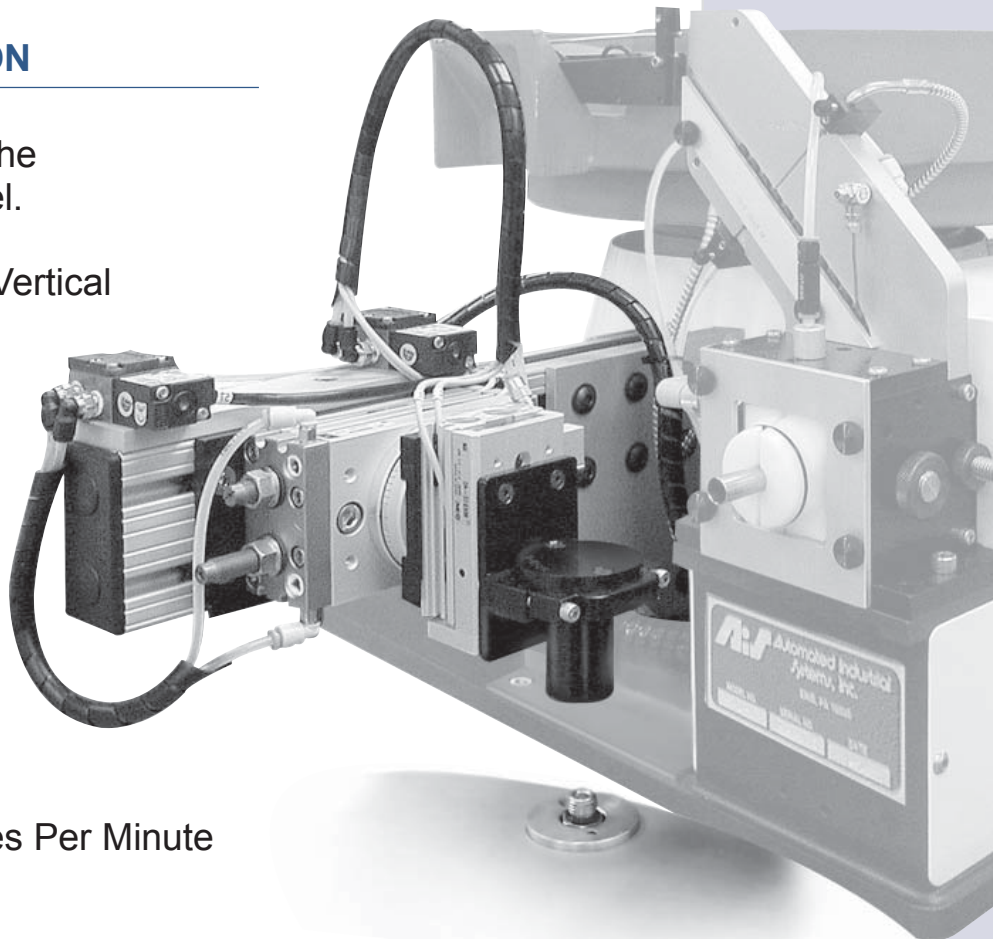
Now there's an easy way to install O-Rings vertically onto components and assemblies. By using the Vertical Placement Module with the ASP-1 or ASP-2 O-Ring Installation Machine, an O-Ring can be quickly and accurately placed onto a part vertically.

## SEQUENCE OF OPERATION

The ASP feeds and orients the O-Ring onto a staging mandrel.

The transfer mandrel of the Vertical Placement Module then removes the O-Ring from the staging mandrel.

Using a pneumatically controlled rotary actuator, the transfer mandrel rotates and precisely places the O-Ring onto the part in the desired position.



*ASP-1 with Vertical Placement Module*

- Cycle Rates Up To 45 Times Per Minute (2,700 Per Hour)
- Rotational Angle of O-Ring Placement is Configurable
- Can Be Integrated Into Existing Production Lines

*Available With Custom Automation For Parts Handling*

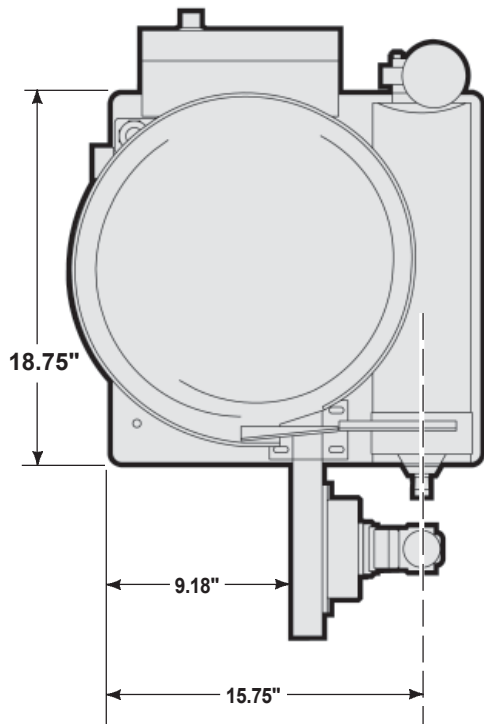
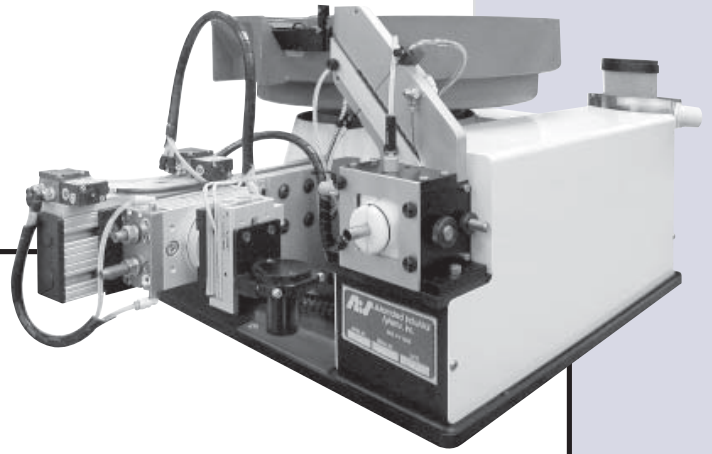
# Automated Industrial Systems Inc.

4238 W. 12th Street • Erie, PA 16505

Phone: (814) 838-2270 • Fax: (814) 833-5661 • E-mail: [info@asporing.com](mailto:info@asporing.com) • <http://www.asporing.com>

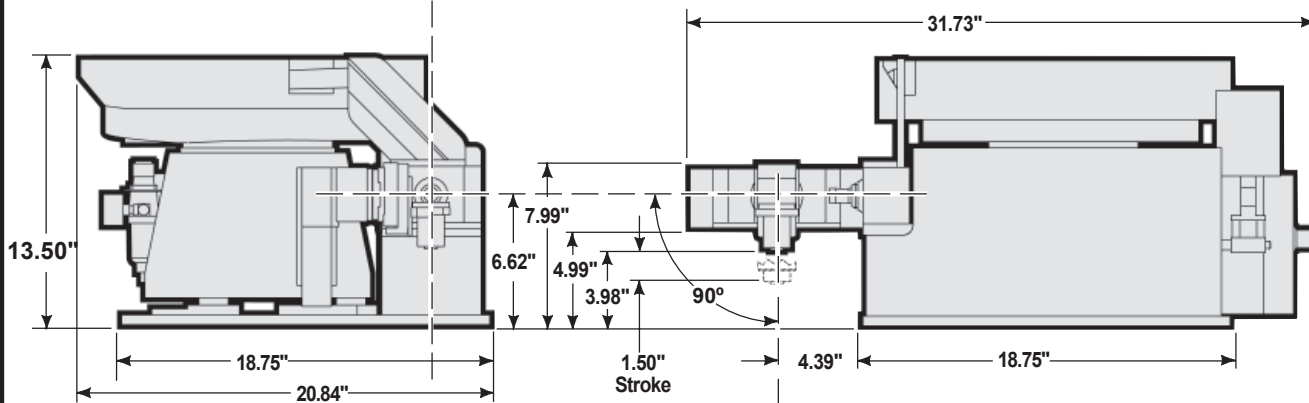
# ASP-1 with Vertical Placement Module

Dimensions are in inches and may change without notice.



## NOTES:

- ① Outline drawing is for reference ONLY. CAD drawings available upon request.
- ② Strokes shown are standard - Custom strokes available.
- ③ Also available in left hand-model.
- ④ Rotation is available 0° - 270° in 1° increments



For more information or a quote contact:



**Automated  
Industrial  
Systems Inc.**

4238 W. 12th Street  
Erie, PA 16505  
Phone: (814) 838-2270  
Fax: (814) 833-5661  
E-mail: [info@aspring.com](mailto:info@aspring.com)  
<http://www.aspring.com>